

---

**Submittal Data Sheet**

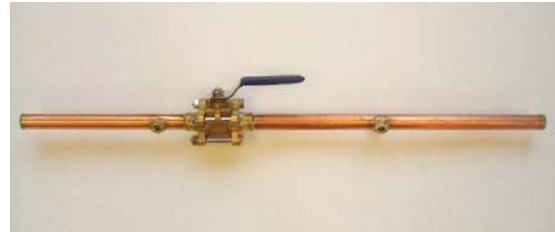
---

**Project  
Information**

Project Number \_\_\_\_\_ Approval \_\_\_\_\_

**Features**

- Meets NFPA 99 standard
- 3 piece in-line easy to service
- Dual gauge/purge ports
- Full port ¼ turn ball valve
- Cleaned for Oxygen service
- Adjustable packing with blow-out proof stem
- Working pressure rating of 600 psi WOG (29 in/Hg vacuum)
- Complies with Federal Standard WW-V35B, Type II, Composition: BZ, Style 1, requirements
- Available in sizes ½” – 3”
- Brass 1/8 NPT Female gauge/purge ports
- Type K copper extensions
- Optional locking handles available
- 100% tested



Adhesive backed caution labels shall be acquired separately and field installed. The labels shall state: CAUTION – (*gas name*) VALVE, DO NOT CLOSE EXCEPT IN EMERGENCY and/or any other required labeling per NFPA 99. Labels shall be color coded for the appropriate gas service and include a section for stating the area being serviced by the valve.

Each valve assembly shall be supplied cleaned for oxygen service in accordance with the current Compressed Gas Association (CGA) Pamphlet G-4.1, ends capped and sealed in a polyethylene bag to prevent contamination prior to installation.

NFPA – National Fire Protection Association Pamphlet 99 “Health Care Facilities”

CGA – Compressed Gas Association Pamphlet G-4.1 “Cleaning Equipment for Oxygen Service”

**Specifications**

All valves shall be Tri-Tech Medical 51 series and must be installed and tested in strict accordance with NFPA 99 standards and or any local codes before use.

The valves shall be bronze, ball-type, with Teflon (TFE) seats and seals. Valves shall be rated at working pressure of 600 psi (29 in/Hg vacuum) and shall be operated by a lever-type handle requiring only a quarter turn from fully open position to a fully closed position. Optional locking handles are available.

All valves shall be equipped with type K copper tubing extensions with two brass 1/8 NPT female gauge/purge ports (one on each side of the valve), to facilitate installation. Gauge/purge ports shall be shipped with a 1/8 NPT plug. Valves shall be 3 piece in-line repairable type. Valves shall incorporate an adjustable packing and blow-out proof stem. Only full port valves having flow rates comparable to equivalent size of pipe shall be used.

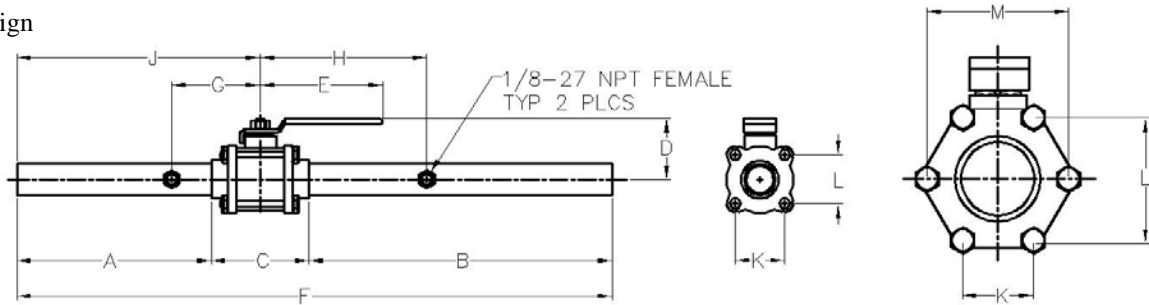
# BALL VALVES w/ EXTENSIONS & TWO GAUGE PORTS

## Dimensions

Note: Gauge port supplied w/ 1/8" NPT Plug



Gauge Port Design



Six Bolt used  
on 2 1/2" , 3" & 4" Valves

## Ordering Information

Ball Valve Assemblies – without labels (order gas labels separately)

Size Valve	Standard Handle Part#	w/ Locking Handle Part#	Dimensions												
			A	B	C	D	E	F	G	H	J	K	L	M	
1/2"	51-02	51-02LH	6.56	11.82	2.62	1.69	3.35	21.00	2.38	6.37	7.87	1.31	0.93	-	
3/4"	51-03	51-03LH	6.78	11.28	2.93	1.89	4.33	21.00	2.69	6.06	8.25	1.43	1.43	-	
1'	51-04	51-04LH	6.86	10.70	3.44	2.05	4.33	21.00	2.88	5.87	8.58	1.62	1.62	-	
1 1/4"	51-05	51-05LH	6.77	10.27	3.96	2.56	5.12	21.00	3.25	5.50	8.75	2.00	2.00	-	
1 1/2"	51-06	51-06LH	6.65	9.92	4.43	2.72	5.12	21.00	3.38	5.37	8.87	2.25	2.25	-	
2"	51-07	51-07LH	8.09	7.35	5.55	3.15	6.30	21.00	3.75	5.00	10.87	2.81	2.81	-	
2 1/2"	51-08	51-08LH	12.64	12.64	6.73	4.29	9.06	32.00	4.25	4.25	16.00	2.50	4.33	5.00	
3"	51-09	51-09LH	12.22	12.22	7.56	4.61	9.06	32.00	4.50	4.50	16.00	2.75	4.73	5.00	
4"	51-10	51-10LH	11.10	11.10	9.80	7.00	12.00	32.00	8.00	8.00	16.00	3.75	6.50	7.50	

## Gauges & Labels

Pressure Gauge		Gas ID Labels Cards – sold in Pkgs of (10)		
Pressure gauges 1-1/2" diameter 1/8" NPT center back mount		Gas	Color	Part #
Scale	Part Number	N2O	USA-ISO	ZV104-7R
0-100 psi	14-1008	CO2	USA-ISO	ZV108-7R
0-300 psi	14-1009	N2	USA-ISO	ZV112-7R
0-30 in Hg	14-1010	AIR	USA	ZV116-7R
		AIR	ISO	ZV116-8R
		VAC	USA	ZV122-7R
		VAC	ISO	ZV122-8R
		O2	USA	ZV124-7R
		O2	ISO	ZV124-8R
		WAGD (EVAC)	USA-ISO	ZV132-7R